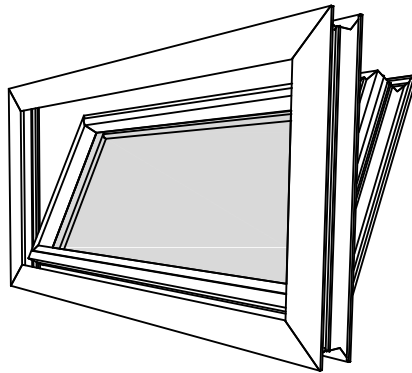
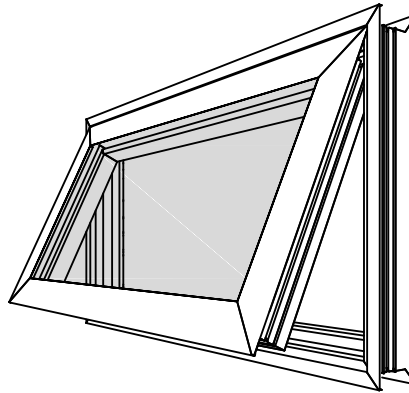
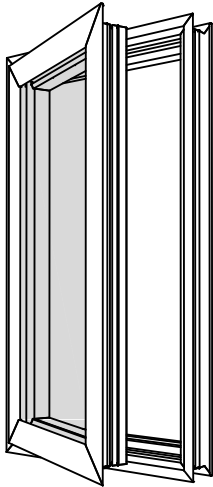


535 SERIES



KEY FEATURES

- 2 $\frac{13}{16}$ " profile
- High performance glass reinforced thermal break
- Integrated Drainage
- 2 colour option
- Optional curtain wall adaptor

PERFORMANCE

- U value as low as 0.30 (1" glazing)
- U value as low as 0.25 (1 $\frac{3}{4}$ " glazing)
- NAFS: AW-PG60
- A440 - A3, C5, B7



WINDSPEC INC.

MANUFACTURERS OF HIGH PERFORMANCE 'WINDSPEC' WINDOWS
ALUMINUM ENTRANCE SYSTEMS AND ARCHITECTURAL PANELS
1310 CREDITSTONE RD, CONCORD, ONTARIO L4K 5T7
Telephone (905) 738 -8311 Fax (905) 738 - 6188

FEBRUARY 2017

535 SERIES

TABLE OF CONTENTS

535 PROJECT OUT VENT IN HTP 5500 C.W. DETAILS _____	003
535 PROJECT IN VENT IN HTP 5500 C.W. DETAILS _____	005
535 PROJECT OUT VENT IN 925 R.S. DETAILS _____	007
535 PROJECT IN VENT IN 925 R.S. DETAILS _____	008
TRIPLE GLAZED 535 PROJECT OUT VENT IN TRIPLE GLAZED HTP 5500 C.W. _____	009
TRIPLE GLAZED 535 PROJECT IN VENT IN TRIPLE GLAZED HTP 5500 C.W. _____	011
CASEMENT & AWNING SIZING CHART _____	013
THERMAL CHARTS _____	014



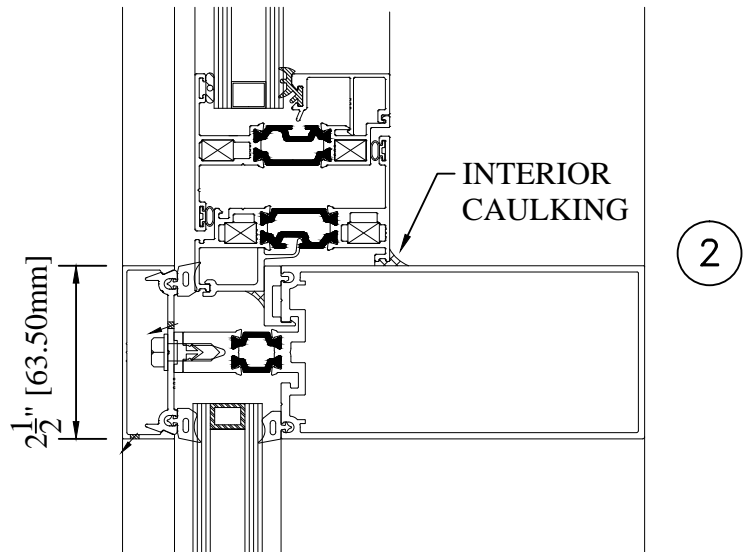
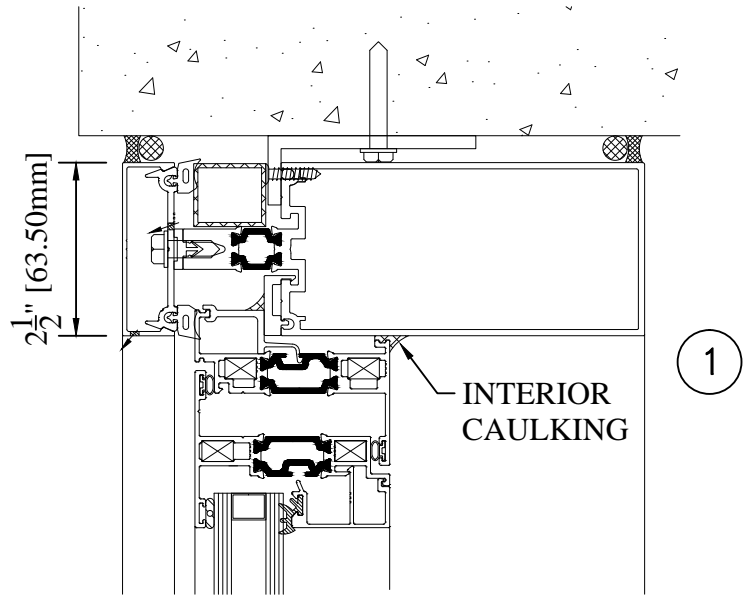
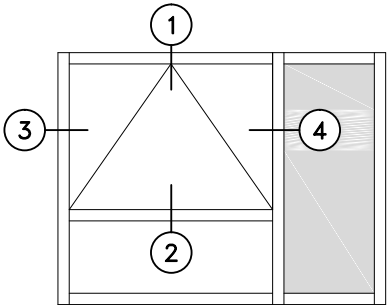
WINDSPEC INC.

MANUFACTURERS OF HIGH PERFORMANCE 'WINDSPEC' WINDOWS
ALUMINUM ENTRANCE SYSTEMS AND ARCHITECTURAL PANELS
1310 CREDITSTONE RD, CONCORD, ONTARIO L4K 5T7
Telephone (905) 738 -8311 Fax (905) 738 - 6188

FEBRUARY 2017

535 SERIES

535 PROJECT OUT VENT IN HTP 5500 C.W. DETAILS

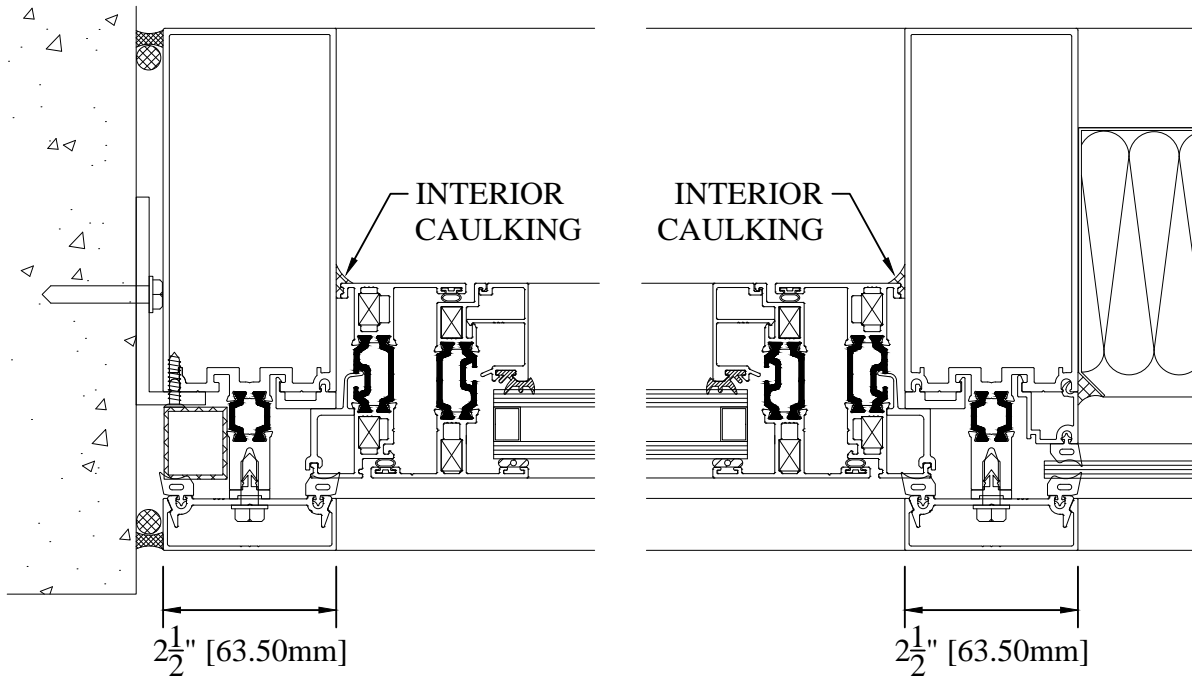


WINDSPEC INC.
MANUFACTURERS OF HIGH PERFORMANCE 'WINDSPEC' WINDOWS
ALUMINUM ENTRANCE SYSTEMS AND ARCHITECTURAL PANELS
1310 CREDITSTONE RD, CONCORD, ONTARIO L4K 5T7
Telephone (905) 738-8311 Fax (905) 738-6188

FEBRUARY 2017

535 SERIES

535 PROJECT OUT VENT IN HTP 5500 C.W. DETAILS



3

4

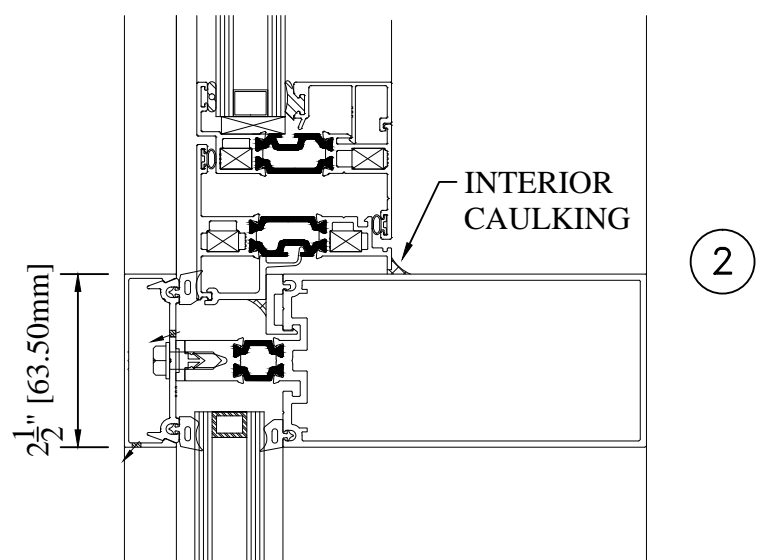
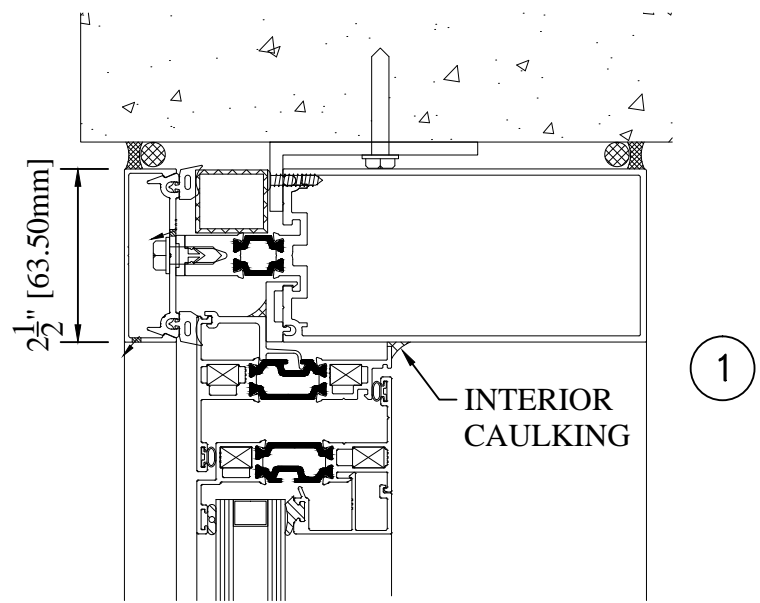
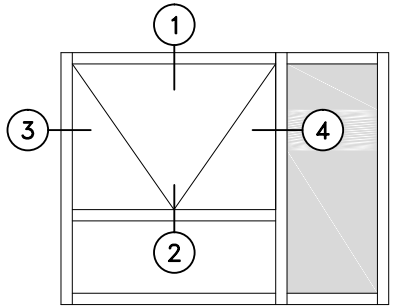


WINDSPEC INC.
MANUFACTURERS OF HIGH PERFORMANCE 'WINDSPEC' WINDOWS
ALUMINUM ENTRANCE SYSTEMS AND ARCHITECTURAL PANELS
1310 CREDITSTONE RD, CONCORD, ONTARIO L4K 5T7
Telephone (905) 738-8311 Fax (905) 738-6188

FEBRUARY 2017

535 SERIES

535 PROJECT IN VENT IN HTP 5500 C.W. DETAILS

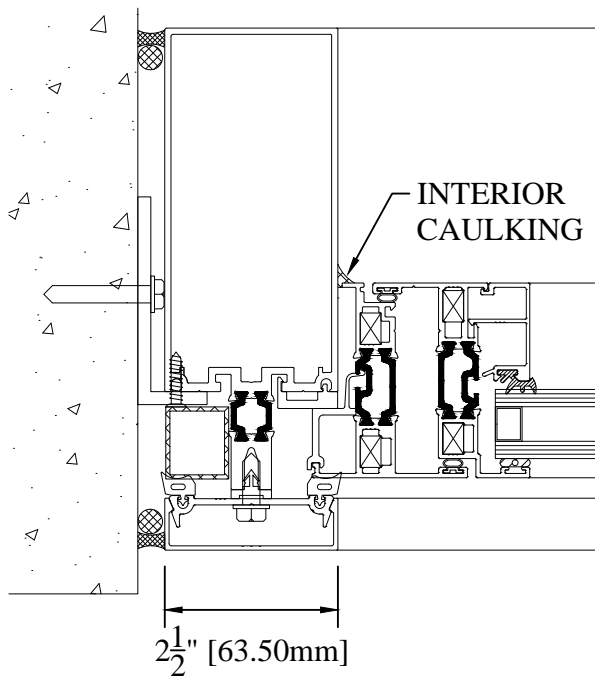


WINDSPEC INC.
MANUFACTURERS OF HIGH PERFORMANCE 'WINDSPEC' WINDOWS
ALUMINUM ENTRANCE SYSTEMS AND ARCHITECTURAL PANELS
1310 CREDITSTONE RD, CONCORD, ONTARIO L4K 5T7
Telephone (905) 738-8311 Fax (905) 738-6188

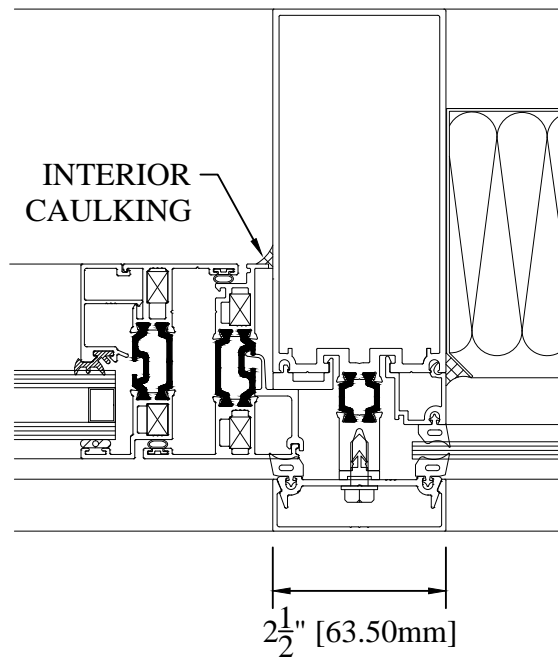
FEBRUARY 2017

535 SERIES

535 PROJECT IN VENT IN HTP 5500 C.W. DETAILS



3



4

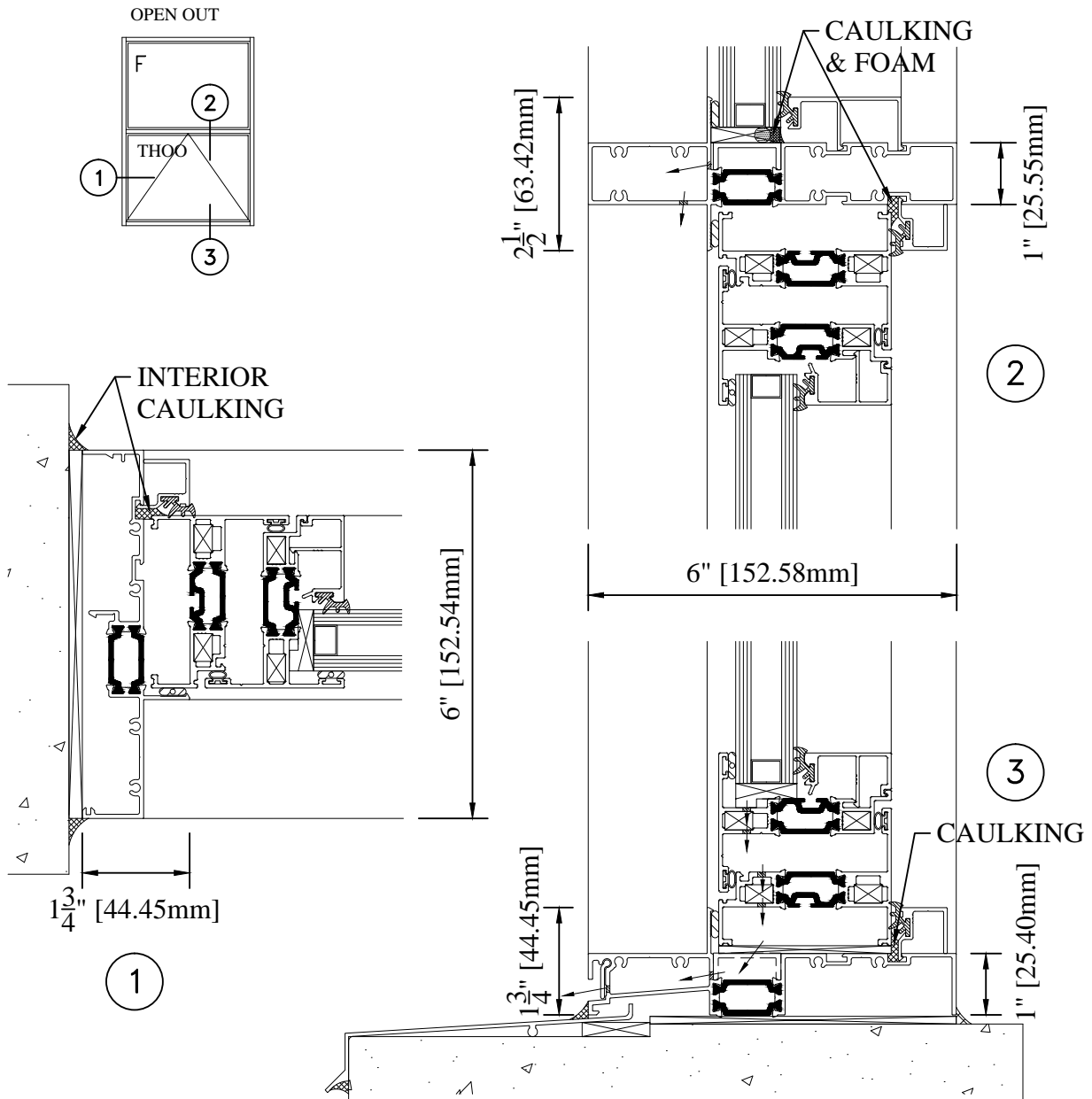


WINDSPEC INC.
MANUFACTURERS OF HIGH PERFORMANCE 'WINDSPEC' WINDOWS
ALUMINUM ENTRANCE SYSTEMS AND ARCHITECTURAL PANELS
1310 CREDITSTONE RD, CONCORD, ONTARIO L4K 5T7
Telephone (905) 738-8311 Fax (905) 738-6188

FEBRUARY 2017

535 SERIES

535 PROJECT OUT VENT IN 925 R.S. DETAILS

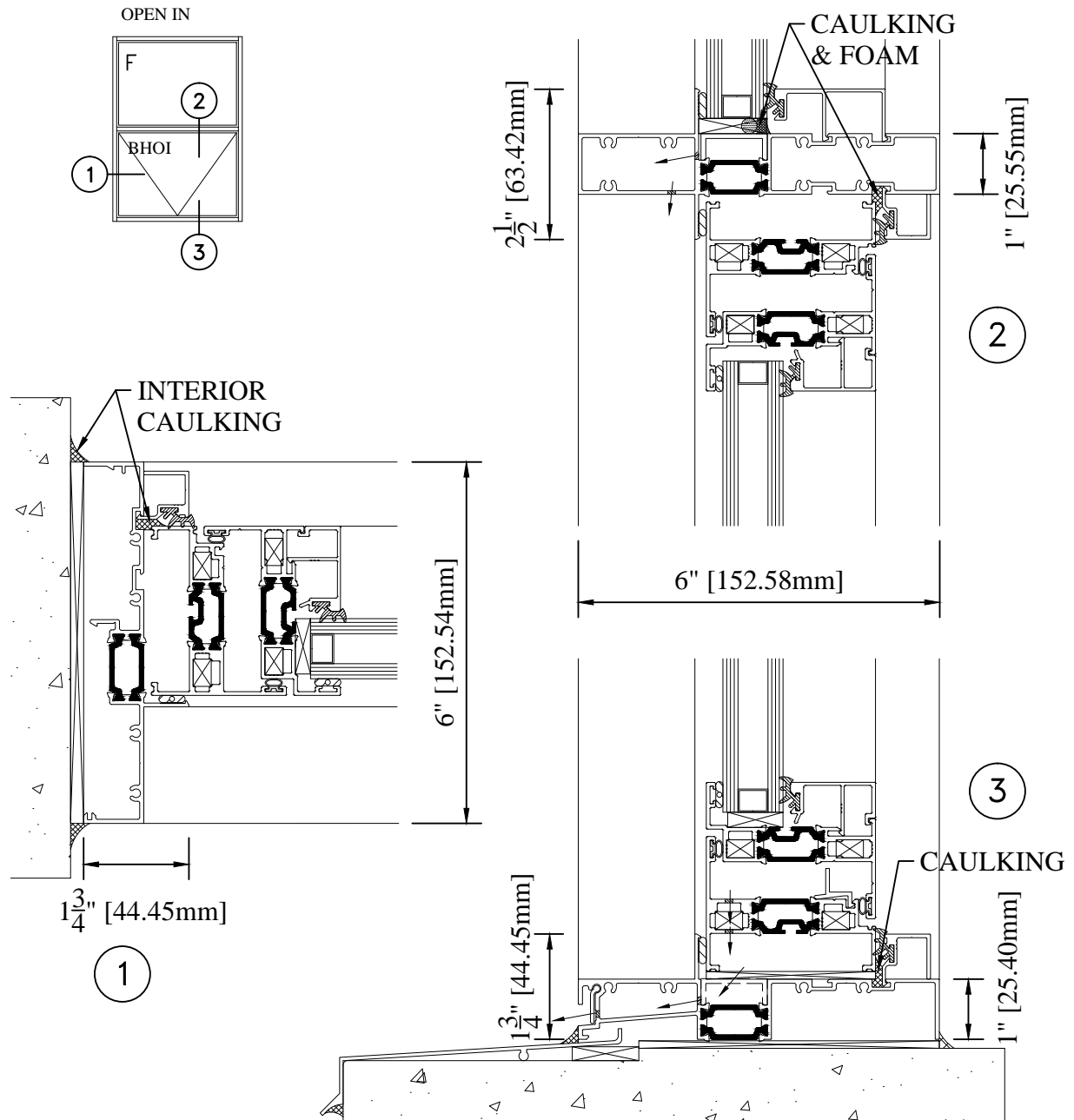


WINDSPEC INC.
 MANUFACTURERS OF HIGH PERFORMANCE 'WINDSPEC' WINDOWS
 ALUMINUM ENTRANCE SYSTEMS AND ARCHITECTURAL PANELS
 1310 CREDITSTONE RD, CONCORD, ONTARIO L4K 5T7
 Telephone (905) 738-8311 Fax (905) 738-6188

FEBRUARY 2017

535 SERIES

535 PROJECT IN VENT IN 925 R.S. DETAILS

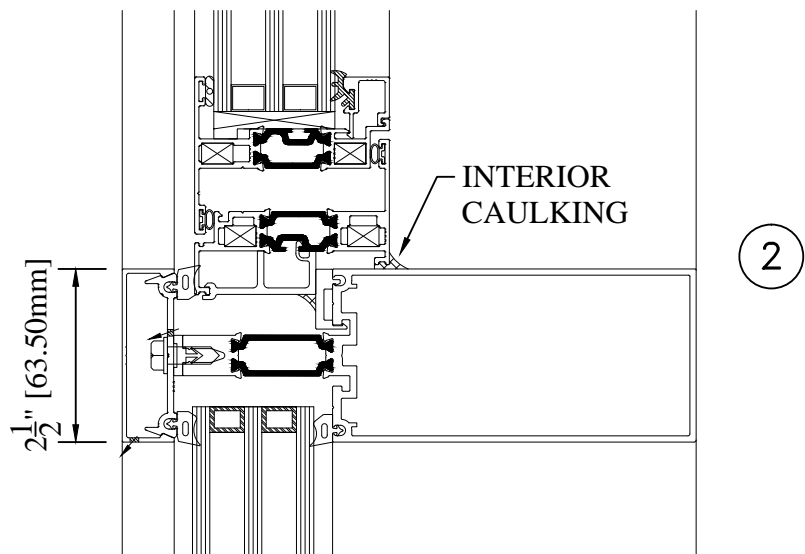
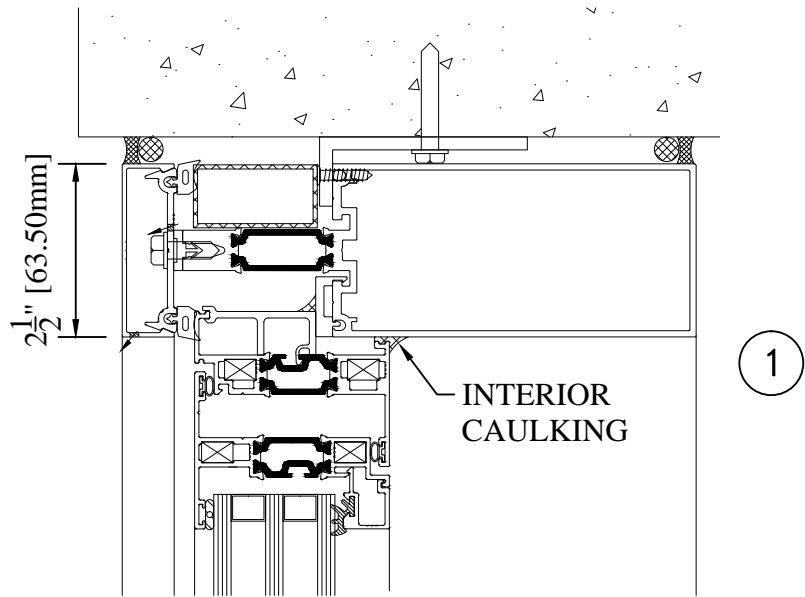
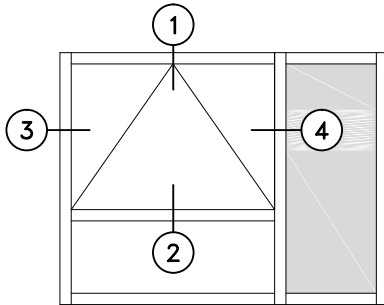


WINDSPEC INC.
MANUFACTURERS OF HIGH PERFORMANCE 'WINDSPEC' WINDOWS
ALUMINUM ENTRANCE SYSTEMS AND ARCHITECTURAL PANELS
1310 CREDITSTONE RD, CONCORD, ONTARIO L4K 5T7
Telephone (905) 738-8311 Fax (905) 738-6188

FEBRUARY 2017

535 SERIES

TRIPLE GL. 535 PROJECT OUT VENT IN TRIPLE GL. HTP 5500 C.W.

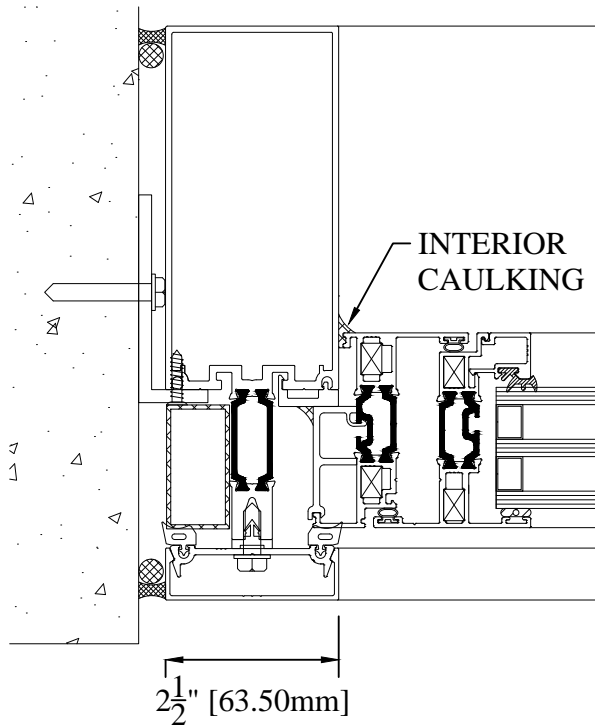


WINDSPEC INC.
MANUFACTURERS OF HIGH PERFORMANCE 'WINDSPEC' WINDOWS
ALUMINUM ENTRANCE SYSTEMS AND ARCHITECTURAL PANELS
1310 CREDITSTONE RD, CONCORD, ONTARIO L4K 5T7
Telephone (905) 738-8311 Fax (905) 738-6188

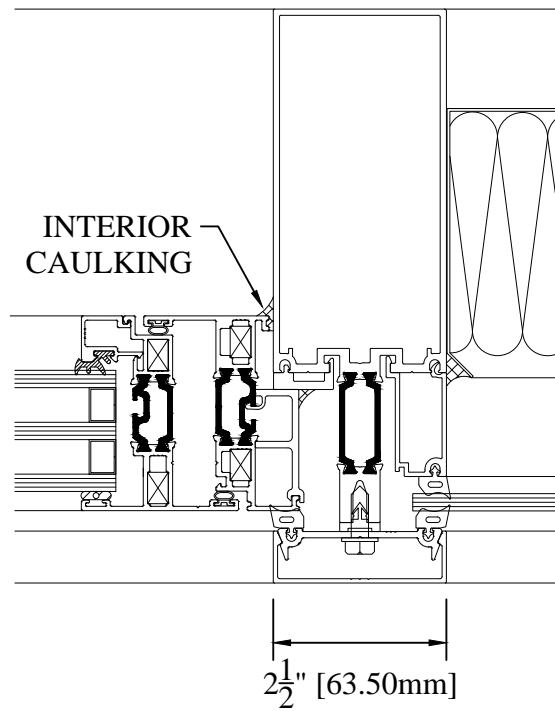
FEBRUARY 2017

535 SERIES

TRIPLE GL. 535 PROJECT OUT VENT IN TRIPLE GL. HTP 5500 C.W.



3



4

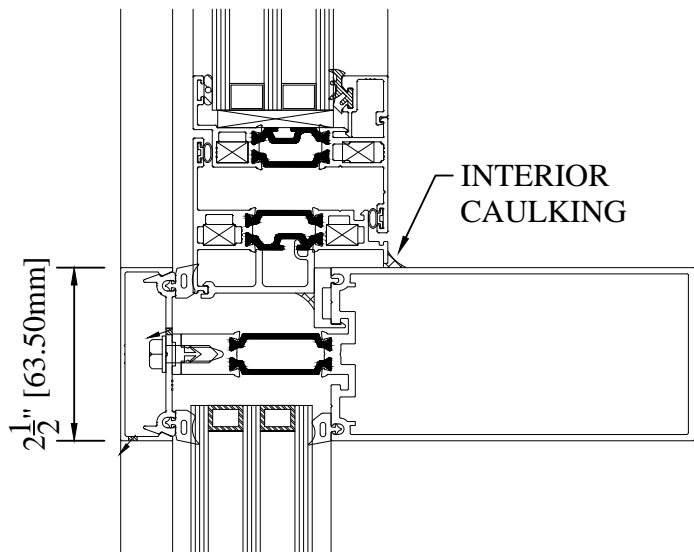
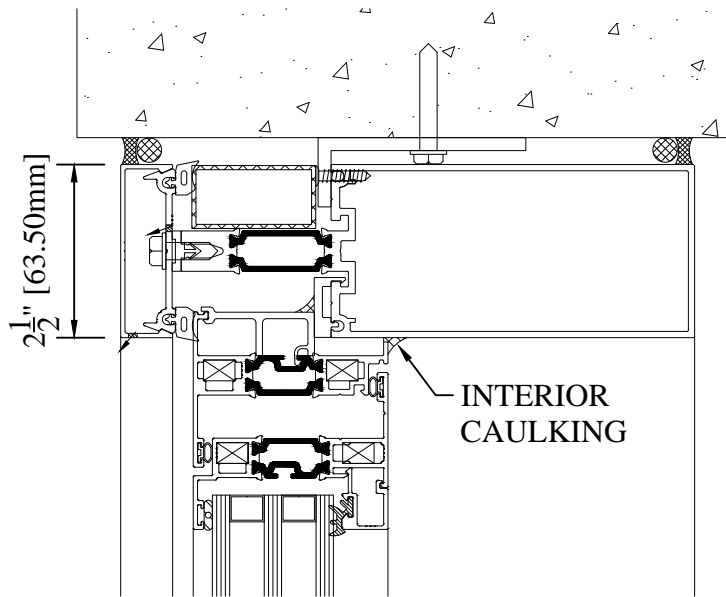
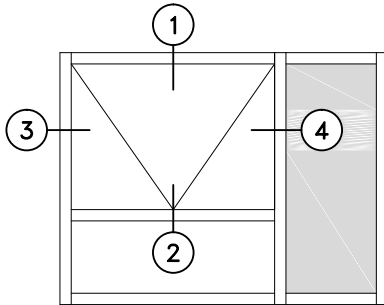


WINDSPEC INC.
MANUFACTURERS OF HIGH PERFORMANCE 'WINDSPEC' WINDOWS
ALUMINUM ENTRANCE SYSTEMS AND ARCHITECTURAL PANELS
1310 CREDITSTONE RD, CONCORD, ONTARIO L4K 5T7
Telephone (905) 738 -8311 Fax (905) 738 - 6188

FEBRUARY 2017

535 SERIES

TRIPLE GL. 535 PROJECT IN VENT IN TRIPLE GL. HTP 5500 C.W.

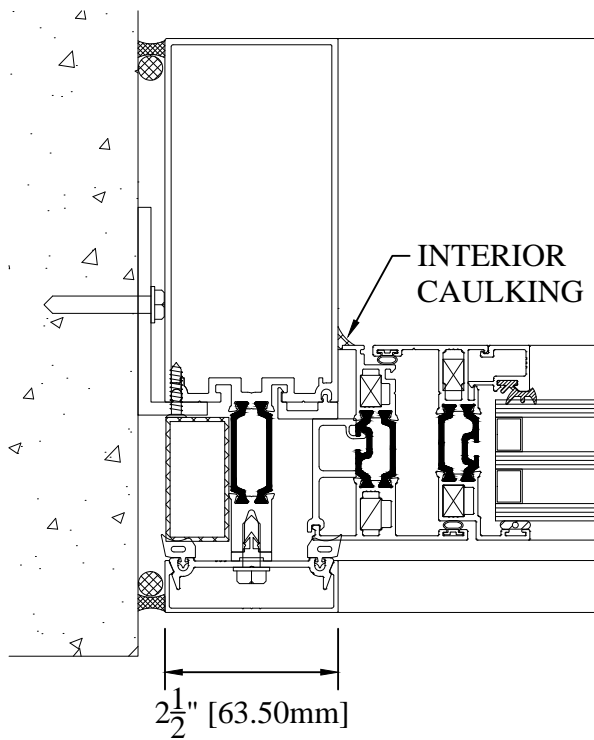


WINDSPEC INC.
MANUFACTURERS OF HIGH PERFORMANCE 'WINDSPEC' WINDOWS
ALUMINUM ENTRANCE SYSTEMS AND ARCHITECTURAL PANELS
1310 CREDITSTONE RD, CONCORD, ONTARIO L4K 5T7
Telephone (905) 738-8311 Fax (905) 738-6188

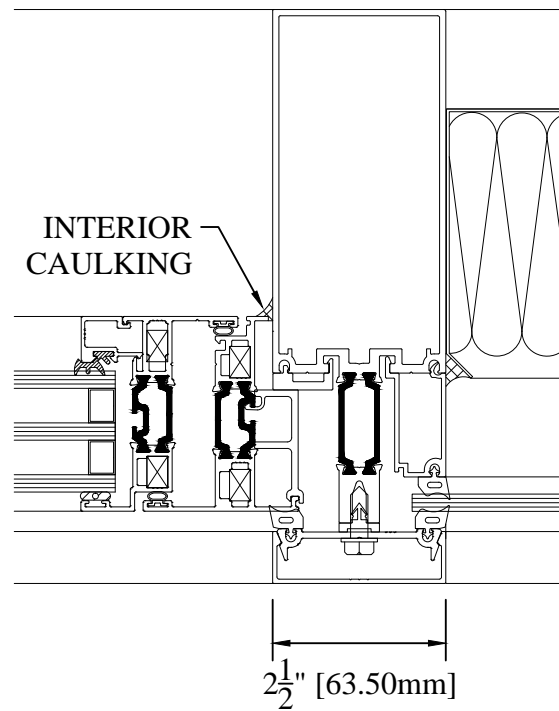
FEBRUARY 2017

535 SERIES

TRIPLE GL. 535 PROJECT IN VENT IN TRIPLE GL. HTP 5500 C.W.



3



4



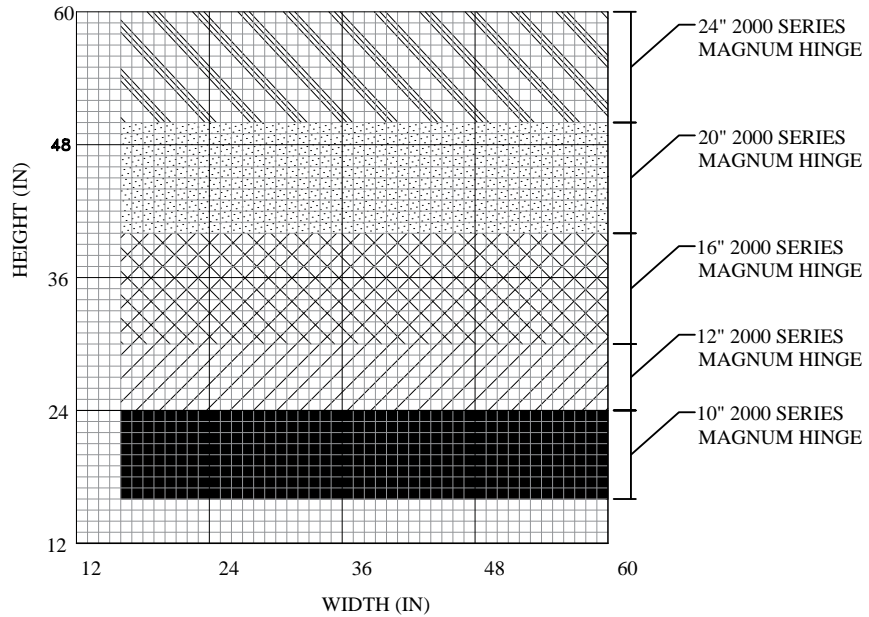
WINDSPEC INC.
MANUFACTURERS OF HIGH PERFORMANCE 'WINDSPEC' WINDOWS
ALUMINUM ENTRANCE SYSTEMS AND ARCHITECTURAL PANELS
1310 CREDITSTONE RD, CONCORD, ONTARIO L4K 5T7
Telephone (905) 738-8311 Fax (905) 738-6188

FEBRUARY 2017

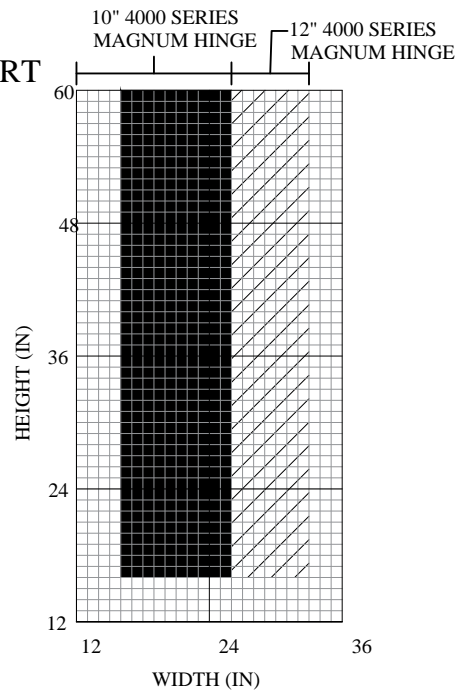
535 SERIES

CASEMENT & AWNING SIZING CHARTS

AWNING CHART



CASEMENT CHART



WINDSPEC INC.
 MANUFACTURERS OF HIGH PERFORMANCE 'WINDSPEC' WINDOWS
 ALUMINUM ENTRANCE SYSTEMS AND ARCHITECTURAL PANELS
 1310 CREDITSTONE RD, CONCORD, ONTARIO L4K 5T7
 Telephone (905) 738-8311 Fax (905) 738-6188

535 SERIES

THERMAL CHARTS

U-cog	535 Casement with Double Glazing		
	Aluminum Spacer	Stainless Steel Spacer	Non-Metal Spacer
0.18	0.41	0.39	0.37
0.20	0.42	0.41	0.38
0.22	0.43	0.42	0.40
0.24	0.44	0.43	0.41
0.26	0.46	0.44	0.42
0.28	0.47	0.45	0.43
0.30	0.48	0.47	0.44
0.32	0.49	0.48	0.46
0.34	0.50	0.49	0.47
0.36	0.51	0.50	0.48
0.38	0.53	0.51	0.49
0.40	0.54	0.53	0.51
0.42	0.55	0.54	0.52
0.44	0.56	0.55	0.53
0.46	0.57	0.56	0.54
0.48	0.59	0.57	0.55

U-cog	535 Casement with Triple Glazing		
	Aluminum Spacer	Stainless Steel Spacer	Non-Metal Spacer
0.10	0.33	0.31	0.29
0.12	0.34	0.33	0.30
0.14	0.36	0.34	0.32
0.16	0.37	0.35	0.33
0.18	0.38	0.36	0.34
0.2	0.39	0.37	0.35
0.22	0.40	0.39	0.37
0.24	0.41	0.40	0.38
0.26	0.43	0.41	0.39
0.28	0.44	0.42	0.40
0.30	0.45	0.43	0.41

575 Casement (Dbl and Tpl Glazed)	
SHGC-cog	SHGC-Product
0.05	0.05
0.10	0.08
0.15	0.12
0.20	0.15
0.25	0.18
0.30	0.21
0.35	0.25
0.40	0.28
0.45	0.31
0.50	0.34
0.55	0.38
0.60	0.41
0.65	0.44
0.70	0.47
0.75	0.51



WINDSPEC INC.
 MANUFACTURERS OF HIGH PERFORMANCE 'WINDSPEC' WINDOWS
 ALUMINUM ENTRANCE SYSTEMS AND ARCHITECTURAL PANELS
 1310 CREDITSTONE RD, CONCORD, ONTARIO L4K 5T7
 Telephone (905) 738 -8311 Fax (905) 738 - 6188