

## TECHNICAL DATA

**HARDWARE:**

E2 HARDWARE SYSTEM  
FOR INTERIOR USE ONLY.

**DESCRIPTION:**

1780 SERIES IS A TOP HUNG  
BI-FOLD DOOR SYSTEM USING 2"  
(50.8mm) STILES. TOP AND  
BOTTOM RAIL SHALL BE  
57.15 mm (2-1/4") HIGH.

**FINISH:**

ALUMINUM EXTRUSIONS  
STOCKED IN MILL FINISH ONLY. OTHER  
FINISHES ARE AVAILABLE UPON  
REQUEST.

**LIMITATIONS:**

1780 SERIES IS DESIGNED TO BE TOP HUNG  
MAX. WEIGHT 90 LBS (40 KG) INCLUDING GLASS  
MAX. PANEL WIDTH 36" (914 mm)  
MAX. PANEL HEIGHT 96" (2438 mm)  
MAX. NUMBER OF PANELS 8 EACH WAY

**ASSEMBLY:**

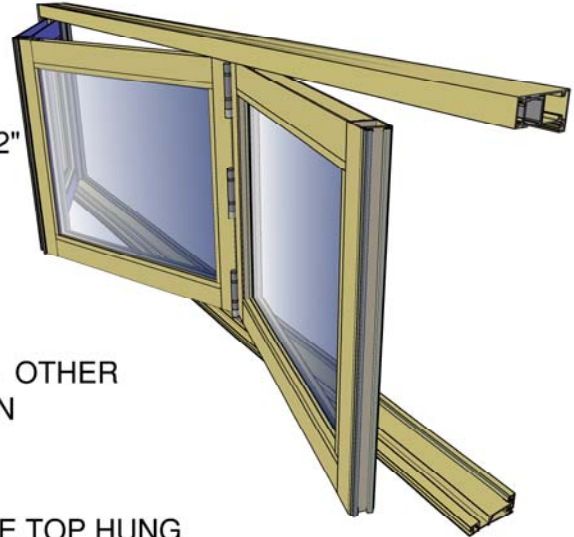
WELDED CORNER ASSEMBLY.

**GLAZING:**

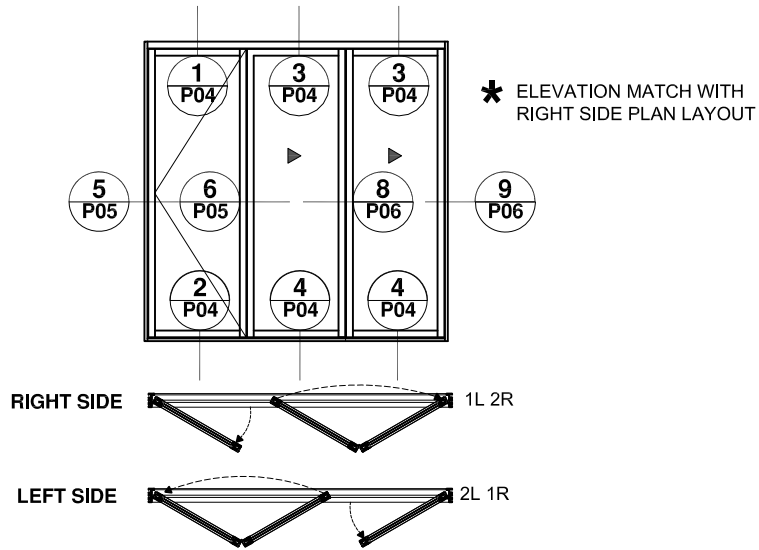
SERIES 1780 DOORS WILL ACCEPT 3/16" (5mm) OR 3/8" (10mm) SINGLE  
GLASS AND 15/16" (24mm) SEALED UNIT.

**INSTALLATION  
REQUIREMENTS:**

TOP TRACK MUST BE ANCHORED TO SOLID STRUCTURE ADEQUATE TO  
CARRY THE TOTAL WEIGHT OF THE DOOR.  
DOOR FRAME MUST BE SQUARED AND BOTTOM TRACK MUST BE  
PLUMBED WITH THE TOP TRACK.



**TYPE OF DOORS**

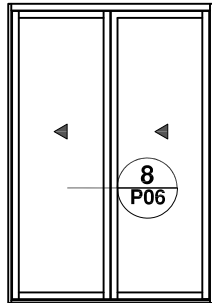


**TYPE A**

**DOOR CONFIGURATION**

ITEM#	LEFT SIDE	RIGHT SIDE
1	2L 1R	1L 2R
2	4L 1R	1L 4R
3	6L 1R	1L 6R
4	8L 1R	1L 8R

THIS CONFIGURATION IS NOT ACCESSIBLE FROM OUTSIDE



\* ELEVATION MATCH WITH LEFT SIDE PLAN LAYOUT

RIGHT SIDE 2R

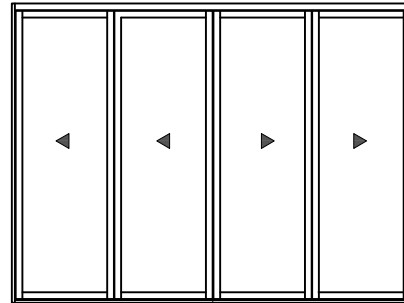
LEFT SIDE 2L

**TYPE B**

**DOOR CONFIGURATION**

ITEM#	LEFT SIDE	RIGHT SIDE
1	2L	2R
2	4L	4R
3	6L	6R
4	8L	8R

THIS CONFIGURATION IS NOT ACCESSIBLE FROM OUTSIDE



2L 2R

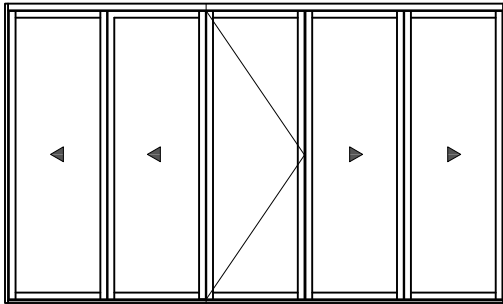
**TYPE C**

**DOOR CONFIGURATION**

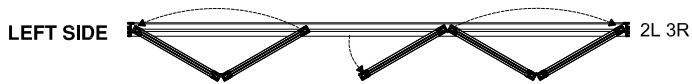
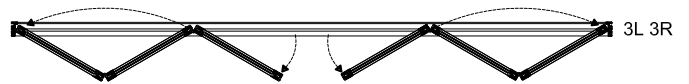
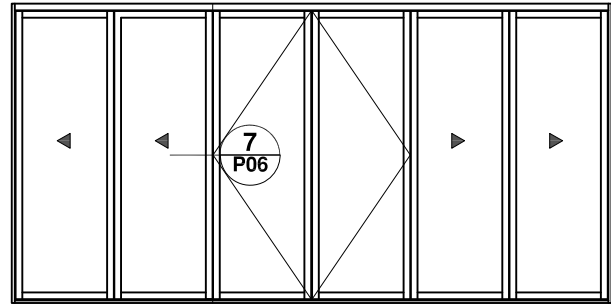
ITEM#	DOOR CONFIGURATION
1	2L 2R
2	4L 4R
3	6L 6R
4	8L 8R

\* MAXIMUM NUMBER OF PANELS: 8 PANELS  
FOLD TO ONE SIDE 54 ft (16.45m) TOTAL

**TYPE OF DOORS**



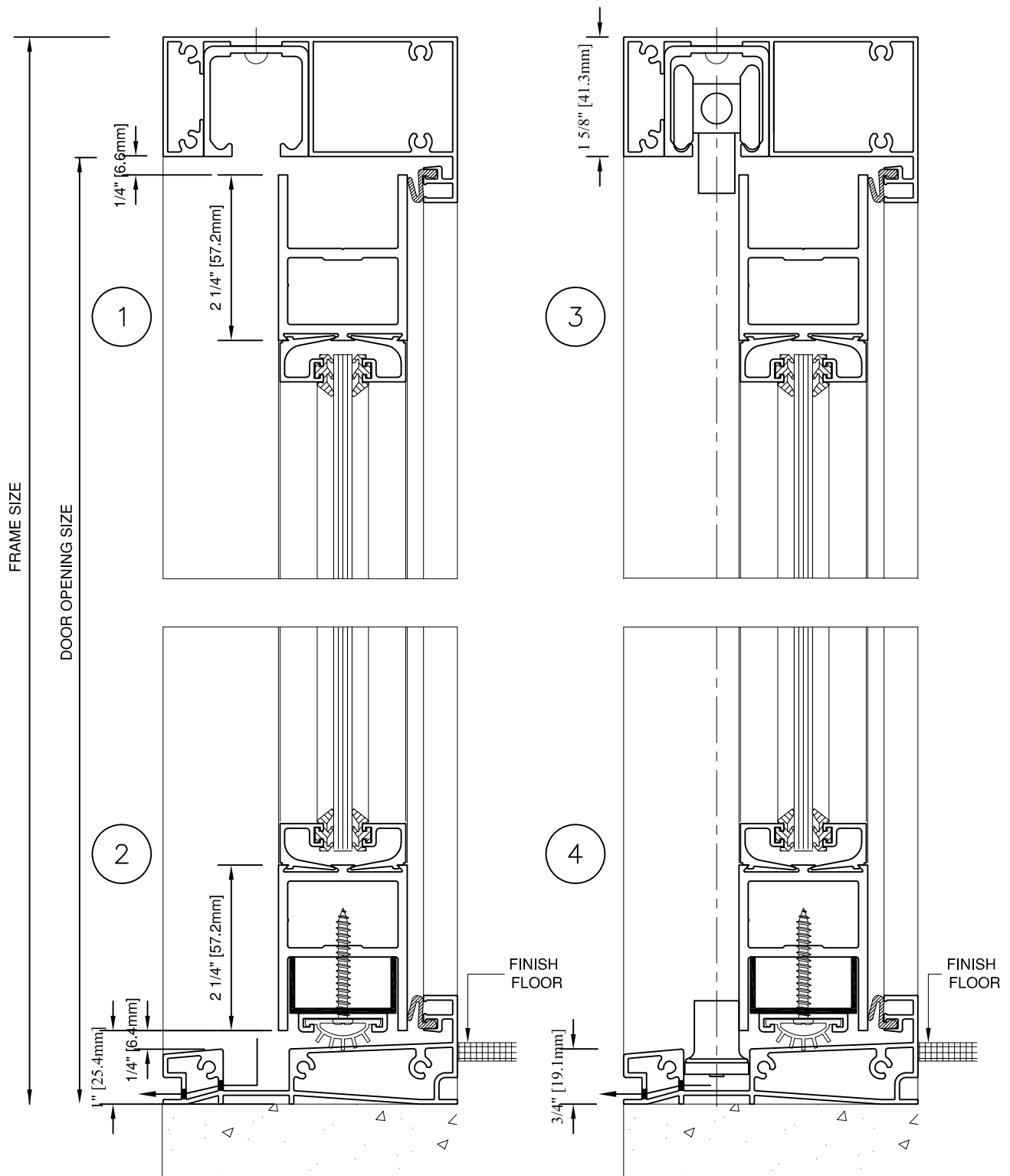
\* ELEVATION MATCH WITH LEFT SIDE PLAN LAYOUT



<b>TYPE D</b>		
DOOR CONFIGURATION		
ITEM#	LEFT SIDE	RIGHT SIDE
1	2L 3R	3L 2R
2	2L 5R	5L 2R
3	2L 7R	7L 2R
4	4L 3R	3L 4R
5	4L 5R	5L 4R
6	4L 7R	7L 4R
7	6L 3R	3L 6R
8	6L 5R	5L 6R
9	6L 7R	7L 6R
10	8L 3R	3L 8R
11	8L 5R	5L 8R
12	8L 7R	7L 8R

<b>TYPE E</b>	
ITEM#	DOOR CONFIGURATION
1	3L 3R
2	5L 5R
3	7L 7R

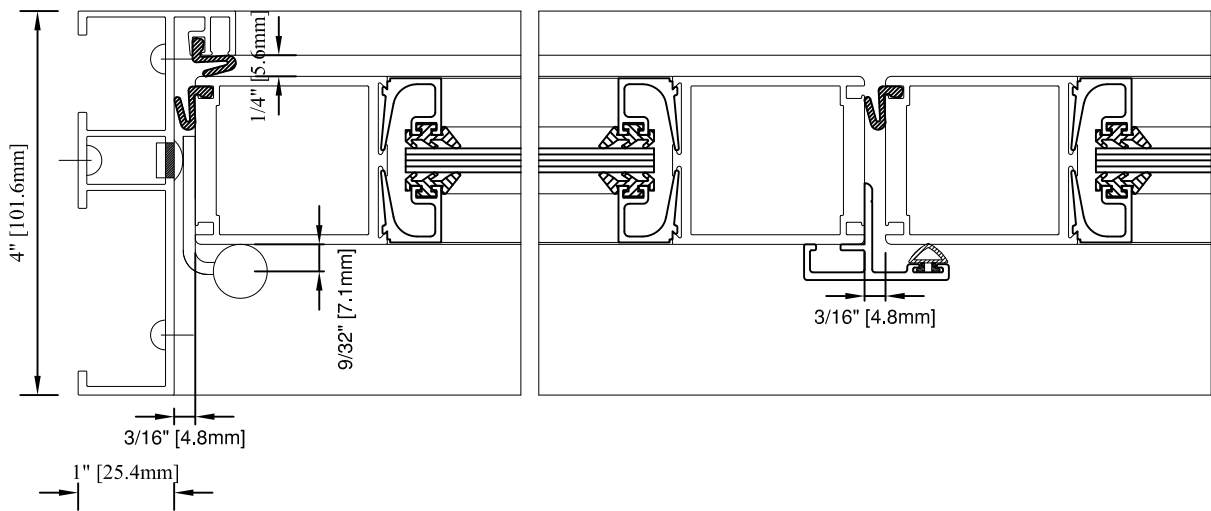
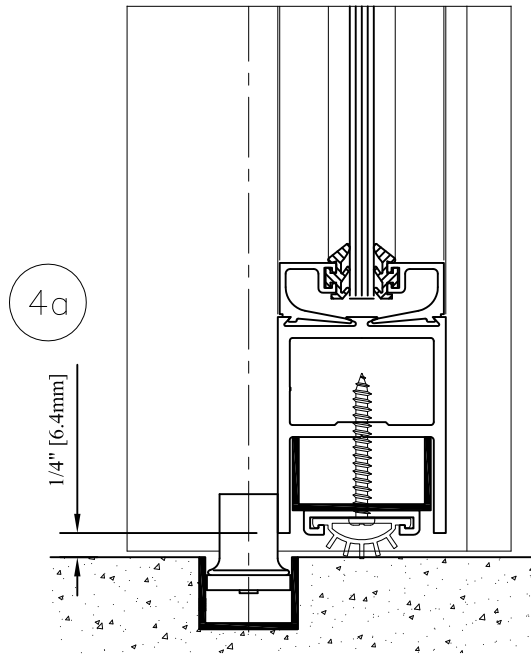
\* MAXIMUM NUMBER OF PANELS: 8 PANELS  
FOLD TO ONE SIDE 54 ft (16.45m) TOTAL



**TYPICAL DETAILS**

**Scale 1:2**

March 10th, 2010



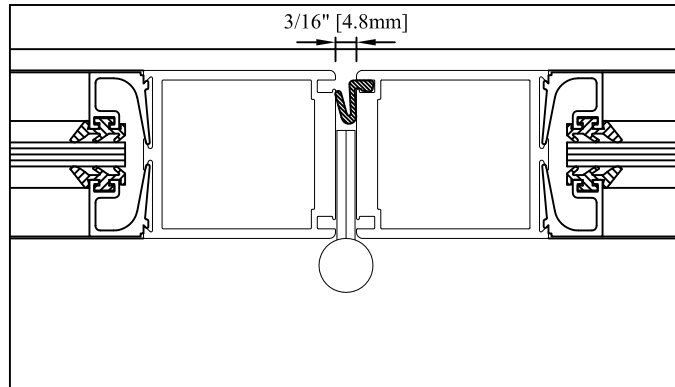
5

6

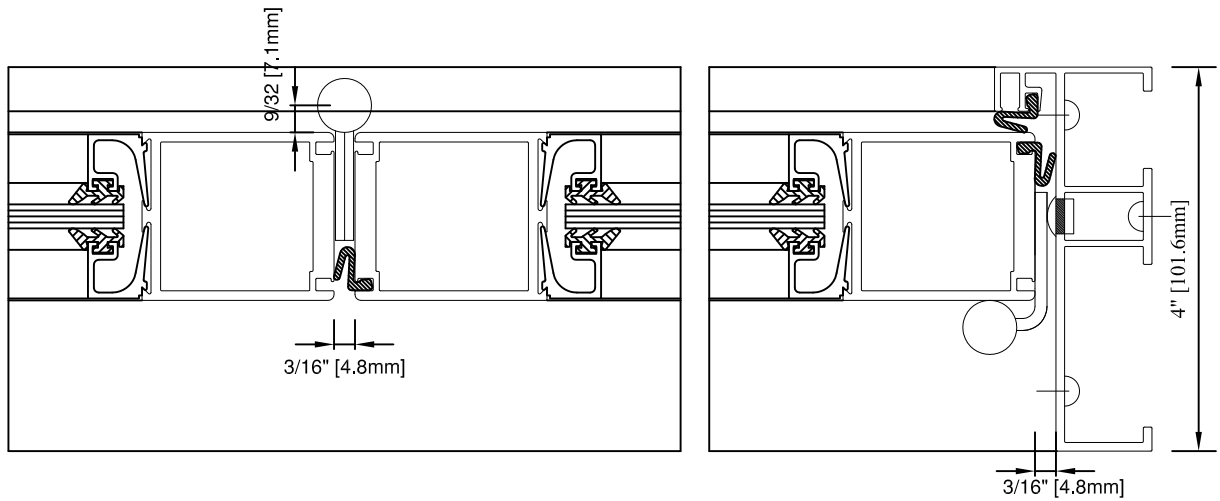
**Scale 1:2**

April 04, 2012

**P05**



7



8

9

**TYPICAL DETAILS**

**Scale 1:2**

March 10th, 2010